



Quick Setup Guide

Wireless Base Station / Bridge

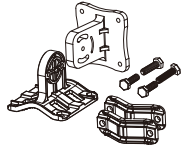
Models: WIS-L2415S/WIS-L2417S/
WIS-L5819S/WIS-L5820S

Version: 1.1

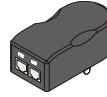
1 Package content



Radio



Mounting kits



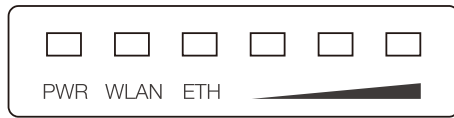
24V PoE Adapter



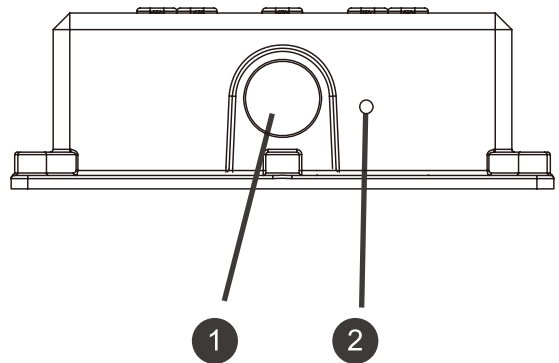
Quick Setup Guide

2 Interface

LED



Interface



LED	Description
PWR	On: the radio is powered up
WLAN	On: the wireless is available Flashing: wireless data transferring
ETH	On: the wire connection is available Flashing: wire data transferring
	Signal strength 0 LED: -95dBm~-90dBm 1 LED: -90dBm~-80dBm 2 LED: -80dBm~-65dBm 3 LED: more than -65dBm

No.	Description
1	Ethernet port
2	Reset button Press more than 8s to restore factory settings

3 Install the radio

■ Instructions before installing

- Locate a suitable place and adjust the device angle facing to the target area.
- You may need a clear line-of-sight condition.
- Do not install in illegal places to avoid violating the local regulatory rules.
- The pole for installing should be $\Phi 30-60\text{mm}$.
- You may need tools below.



Ladder



Screw driver

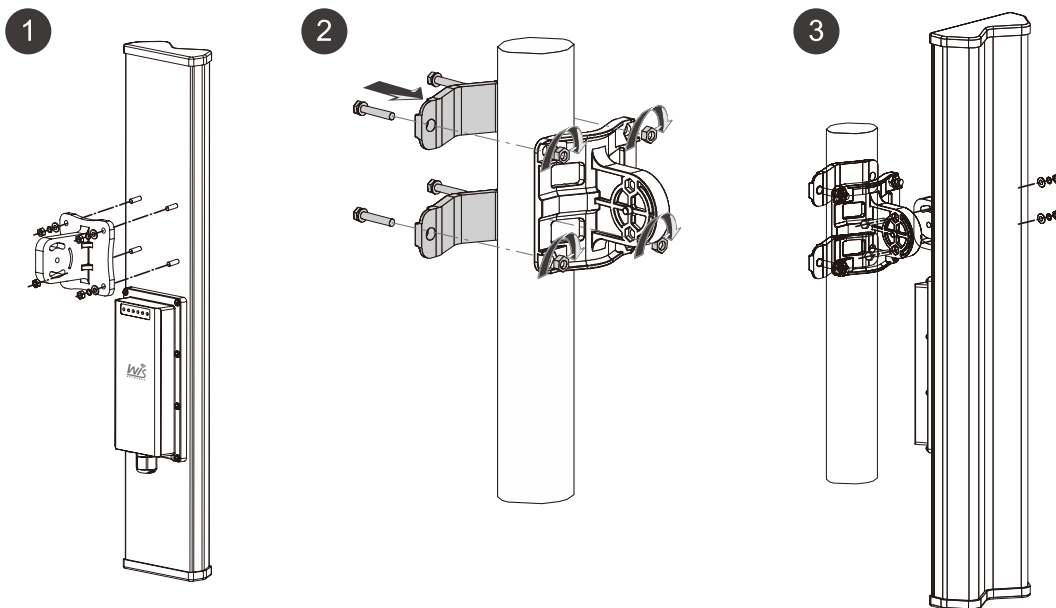


Wrench



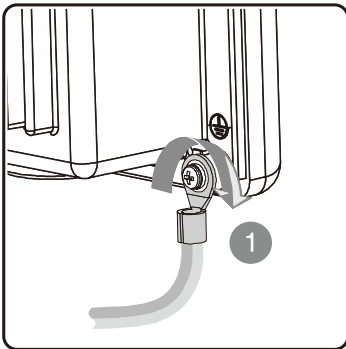
Waterproof tape

■ Install the radio

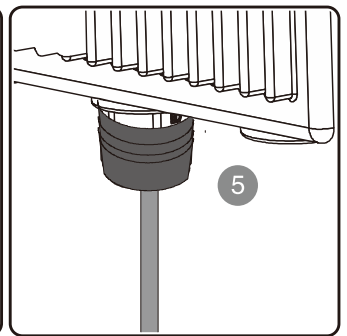
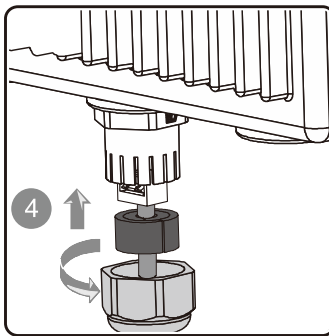
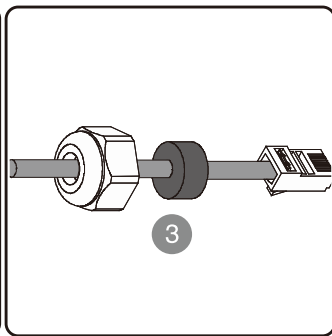
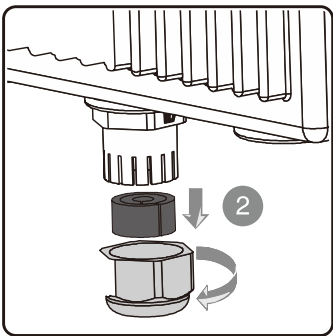


- 1 Mount the bracket onto the back of the radio with plain washer, spring washer, and 4*M6 screw nuts.
- 2 Mount another smaller bracket with two groove brackets with 4*M8*85mm screw bolts and 4*M6 screw nuts on a pole.
- 3 Bridge the radio and the pole with 2*M6*35mm bolts and plain washer, spring washer screw nuts. After the tilt alignment, tighten the nuts.

■ Connect the cable



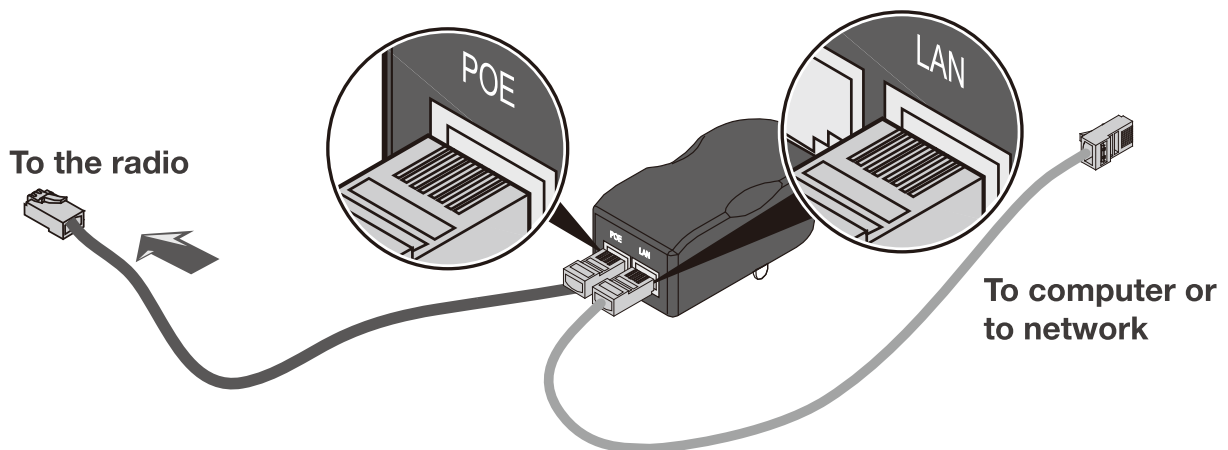
- 1 Connect the ground cable.
- 2 Screw out the waterproof cap.
- 3 Pass the RJ45 cable through the rubber ring and cap.
- 4 Screw back the cap tightly, mounting bracket using M8*60 screw.
- 5 Use waterproof tape to cover the cap.



⚠ ATTENTION

Shielded Category 5 (or above) cabling should be used for all wired Ethernet connections.

■ Power up the radio



Connect one end of an Ethernet cable to the **POE** port of the provided PoE DC Adapter and the other end of the Ethernet cable to the RJ45 port of the device. Then, connect the **LAN** port of the PoE DC Adapter to a PC or switch using another Ethernet cable. Finally, plug the PoE DC Adapter into a standard electrical wall socket.

⚠ ATTENTION

If you use other PoE Adapter which is not provided by Wisnetworks, we can't provide warranty service if device damage caused.

4 Web configuration

1. Check all wires are correctly connected.
2. Configure the host system with static IP on the 192.168.1.x (x could be 10~254) subnet.
3. Using a web browser access 192.168.1.2 (wait a few seconds after device power up).
4. When login page appears enter "admin" in both the username and password fields.

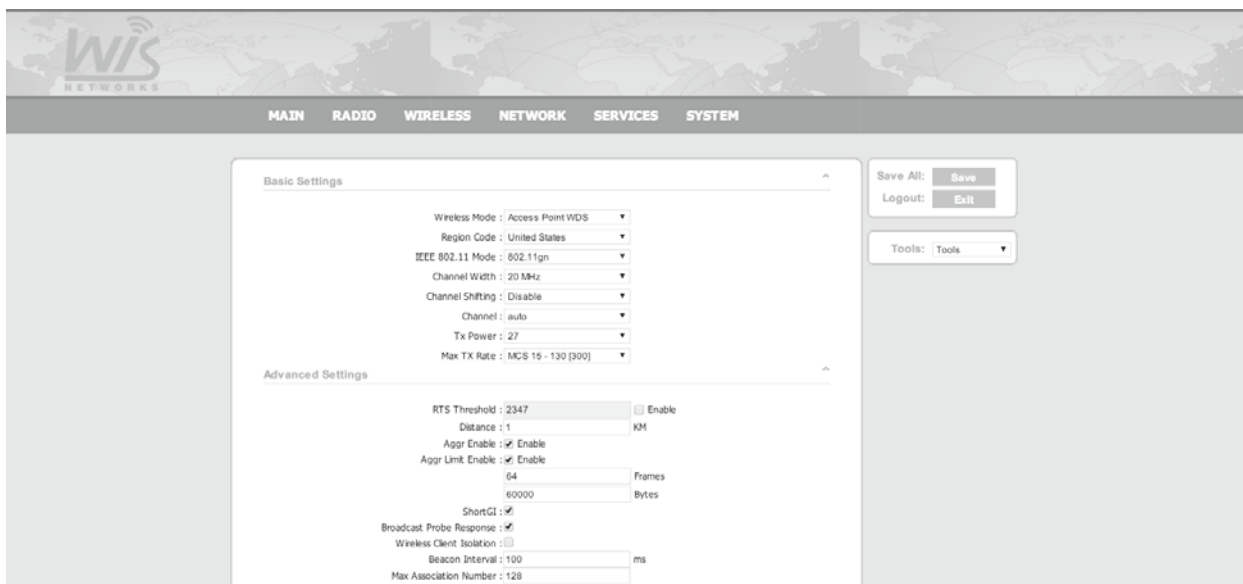


5. For more configurations like operating mode and wireless settings please visit the support site at wisnetworks.com.

■ Installer Compliance Responsibility

Devices must be professionally installed and it is the professional installer's responsibility to make sure the device is operated within local country regulatory requirements.

The setting is at **Radio** page, **Region Code**.



Since Wisnetworks equipment can be set with various radio frequency parameters, such as the radio output power, channels are set with different values due to the region code selection. The installer should use the radio meeting regulatory requirements.

Safety Notices

1. Read, follow, and keep these instructions.
2. Heed all warnings.
3. Only use attachments/accessories specified by the manufacturer.

WARNING:

Do not use this product in location that can be submerged by water.

WARNING:

Avoid using this product during an electrical storm. There may be a remote risk of electric shock from lightning.

Electrical Safety Information

1. Compliance is required with respect to voltage, frequency, and current requirements indicated on the manufacturer's label. Connection to a different power source than those specified may result in improper operation, damage to the equipment or pose a fire hazard if the limitations are not followed.
2. There are no operator serviceable parts inside this equipment. Service should be provided only by a qualified service technician.
3. This equipment is provided with a detachable power cord which has an integral safety ground wire intended for connection to a grounded safety outlet.
 - a. Do not substitute the power cord with one that is not the provided approved type. Never use an adapter plug to connect to a 2-wire outlet as this will defeat the continuity of the grounding wire.
 - b. The equipment requires the use of the ground wire as a part of the safety certification, modification or misuse can provide a shock hazard that can result in serious injury or death.
 - c. Contact a qualified electrician or the manufacturer if there are questions about the installation prior to connecting the equipment.
 - d. Protective earthing is provided by Listed AC adapter. Building installation shall provide appropriate short-circuit backup protection.
 - e. Protective bonding must be installed in accordance with local national wiring rules and regulations.

CE Marking

CE marking on this product represents the product is in compliance with all directives that are applicable to it. Alert sign must be indicated if a restriction on use applied to the product and it must follow the CE marking.



RoHS/WEEE Compliance Statement



European Directive 2002/96/EC requires that the equipment bearing this symbol on the product and/or its packaging must not be disposed of with unsorted municipal waste. The symbol indicates that this product should be disposed of separately from regular household waste streams. It is your responsibility to dispose of this and other electric and electronic equipment via designated collection facilities appointed by the government or local authorities. Correct disposal and recycling will help prevent potential negative consequences to the environment and human health. For more detailed information about the disposal of your old equipment, please contact your local authorities, waste disposal service, or the shop where you purchased the product.

FCC STATEMENT

1. This device complies with Part 15 of the FCC Rules. Operation is subject to the following two conditions:

(1) This device may not cause harmful interference.

(2) This device must accept any interference received, including interference that may cause undesired operation.

2. Changes or modifications not expressly approved by the party responsible for compliance could void the user's authority to operate the equipment.

NOTE: This equipment has been tested and found to comply with the limits for a Class B digital device, pursuant to Part 15 of the FCC Rules. These limits are designed to provide reasonable protection against harmful interference in a residential installation.

This equipment generates uses and can radiate radio frequency energy and, if not installed and used in accordance with the instructions, may cause harmful interference to radio communications. However, there is no guarantee that interference will not occur in a particular installation. If this equipment does cause harmful interference to radio or television reception, which can be determined by turning the equipment off and on, the user is encouraged to try to correct the interference by one or more of the following measures:

Reorient or relocate the receiving antenna.

Increase the separation between the equipment and receiver.

Connect the equipment into an outlet on a circuit different from that to which the receiver is connected.

Consult the dealer or an experienced radio/TV technician for help.

This equipment complies with FCC radiation exposure limits set forth for an uncontrolled environment. This equipment should be installed and operated with minimum distance 20cm between the radiator & your body.

Limited Warranty

Wisnetworks warrants that the product(s) furnished hereunder (the "Product(s)") shall be free from defects in material and workmanship for a period of two (2) years from the date of shipment by Wisnetworks under normal use and operation. Wisnetworks sole and exclusive obligation and liability under the foregoing warranty shall be for Wisnetworks, at its discretion, to repair or replace any Product that fails to conform to the above warranty during the above warranty period. The expense of removal and reinstallation of any Product is not included in this warranty. The warranty period of any repaired or replaced Product shall not extend beyond its original term.

Warranty Condition

The above warranty does not apply if the Product:

- (a) has been modified and/or altered, or an addition made thereto, except by Wisnetworks, or our authorized representatives, or as approved by Wisnetworks in writing;
- (b) has been painted, rebranded or physically modified in any way;
- (c) has been damaged due to errors or defects in cabling;
- (d) has been subjected to misuse, abuse, negligence, abnormal physical, electromagnetic or electrical stress, including lightning strikes, or accident;
- (e) has been damaged or impaired as a result of using third party firmware;
- (f) has no original Wisnetworks MAC/SN label, or is missing any other original Wisnetworks label(s);
- (g) human reasons without according to the guide or user manual.

In addition, the above warranty shall apply only if: the product has been properly installed and used at all times in accordance, and in all material respects, with the applicable Product documentation; all Ethernet cabling runs use CAT5 (or above), and for outdoor installations, shielded Ethernet cabling is used, and for indoor installations, indoor cabling requirements are followed.

Online Support

For more guide and help, please go to
www.wisnetworks.com/support/

You can contact email
support@wisnetworks.com

We'll reply you within one weekday.