

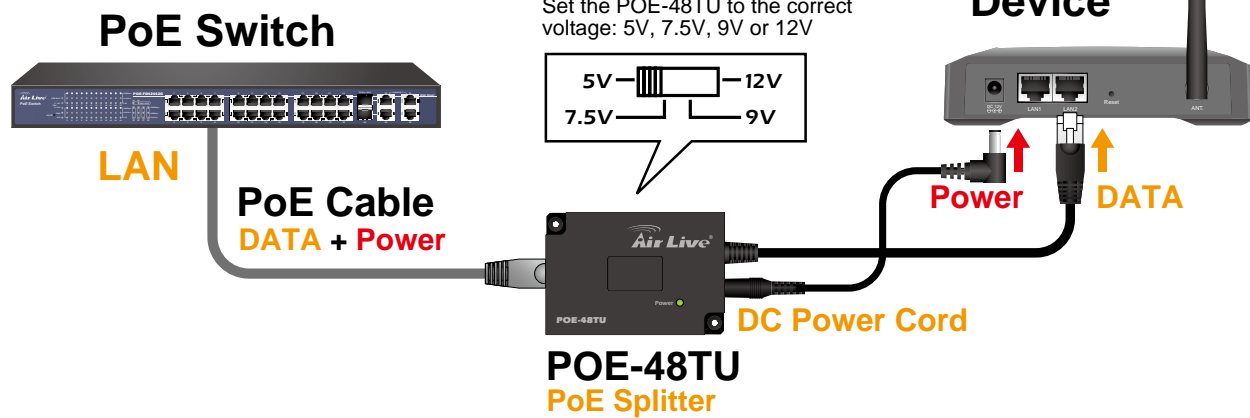
POE-48TU

802.3af PoE Splitter with Switchable Output

The POE-48TU is a Power over Ethernet Splitter with switchable output; it can split data and power from PoE Switch or PoE Injector. It is also compatible with IEEE 802.3af standard. With usage of POE-48TU, it allows network devices to be placed in the outdoor or places which are difficult to deploy power source.



PoE Installation



Specifications

Standard

- IEEE 802.3
- IEEE 802.3u
- IEEE 802.3af Power over Ethernet

Interface

- Data In and Power In:
- 1 x RJ-45

- Data pin: 1,2,3,6
- Power pin: 4,5(V+), 7,8(V-) and 1,2(V+), 3,6(V-)
- Data Out:
- 1 x RJ-45
- Data pin: 1,2,3,6
- Power Out:
- 5V, 7.5V, 9V, 12V (switchable)
- Maximum feeding current: 2.0A@5V

Power jack diameter

- 2 x power cable with straight plug and right angle plug
- Plug dimension: 5.5 x 2.0 mm, 5.5 x 2.5 mm,

Network cable

- 10Base-T: 2-pair UTP/STP Cat. 3,4,5 cable, EIA/TIA-568 100-ohm (100m)
- 100Base-TX: 2-pair UTP/STP Cat. 5 cable, EIA/TIA-568 100-ohm (100m)

LED indicator

- Power (green)

Power Input

- DC 48V

Operating Temperature

- 0°C - 40°C (32°F - 104°F)

Operating Humidity

- 10% ~ 90% (non-condensing)

EMI & Safety

- FCC Class B, CE, CE/EN60950

Produce Weight (g)

-

Dimensions

- 80 x 55 x 26 mm

Ordering Information:

AirLive POE-48TU 802.3af PoE Splitter with Switchable Output