

DrayTek

Vigor2862 Series

VDSL2 Security Firewall

- VDSL2/ADSL2+ Router
- Ethernet WAN for Load Balancing or Failover
- 32 Simultaneous VPN Tunnels
- SPI Firewall with Content Filtering
- 2 USB ports for 3G/4G modem or extra storage
- Central Management for VigorAP & Vigor Switch



Vigor2862 Series is a VDSL/ADSL Security Firewall router. Vigor2862 Series can be compatible with variants of ADSL and VDSL, and support fallback to ADSL2/2+ when fail to connect in VDSL2. The Gigabit Ethernet WAN port can be used with a cable-modem to connect to a second line for load balancing or failover. There are also two USB ports can work with 3G/4G/LTE USB modems to add wireless connectivity. Vigor2862 Series covers comprehensive firewall mechanism and content security management (CSM) to offer a secure Network. With the extended number of NAT sessions, Vigor2862 Series can handle more simultaneous connections. It also extends the subnet number and increases the amount of IP address within each subnet so they can accommodate more hosts. In addition, Vigor2862 Series can be a central management solution for Vigor APs and switches. This function provides Network Administrator a simpler way to configure multiple devices.

VDSL Bonding (B model)

The "B" of Vigor2862B and Vigor2862Bn stands for VDSL bonding. It is a technology that combines 2 VDSL lines into a single aggregated connection to double the bandwidth. Please note that VDSL bonding can only be activated when your ISP offers two physical lines from their DSLAM and supports VDSL bonding, rather than a function you can enable or disable on the user interface.

Comprehensive DSL Connectivity

The VDSL/ADSL modem built-in Vigor2862 Series offer comprehensive DSL connectivity which makes it compatible with various versions of xDSL, including ADSL, ADSL2, ADSL2+, VDSL, and VDSL2. Vigor2862 Series also automatically detects your line type and fallback is supported.

WAN Load Balancing & Failover

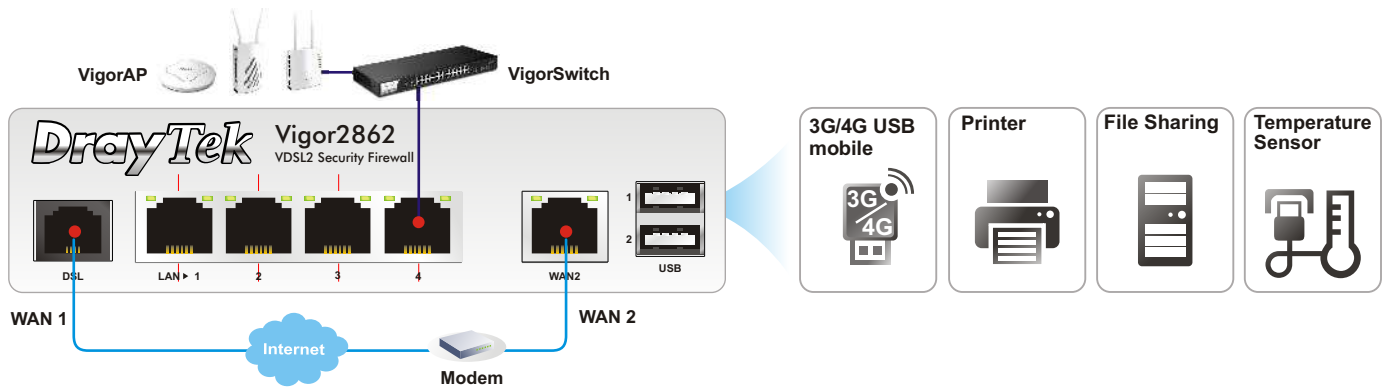
Except for the DSL interface, there is also a Gigabit Ethernet WAN port that can be used for any types of connection and add an additional connectivity to share the traffic load. 3G/4G/LTE USB modem can also be attached to the USB ports of the router, and offer wireless Internet connectivity in case the fixed lines are not available. In fact, all of the WAN interfaces can be configured to operated in either Load Balancing mode, which will be active all the time, or in Failover mode, which will be active only when detecting connection loss or heavy load on the primary connection.

Flexible LAN Management

The 4-port Gigabit Ethernet switch on the LAN side provides high-speed connectivity for the servers and PCs on the local network, and the Virtual LAN (VLAN) features allow you to separate the LAN clients into different logical domains thus to increase the security and network efficiency. Vigor2862 Series support 802.1Q standard and can build a Tag-based VLAN system with an 802.1Q-support switch, Port-based VLAN is also supported that each LAN port can be configured as a member of different VLAN and be isolated from each other without the use of VLAN tag. Moreover, up to 8 IP subnet can be set up on Vigor2862 Series, so each VLAN can use different IP addressing space.

Firewall & Security

Vigor2862 Series support Stateful Packet Inspection (SPI) Firewall and flexible filtering rules, it can accept or deny packets based on the information in the packet header (such as source IP, destination IP, protocol, and port number) or the packet's application. IP-based restrictions can be set to filter certain HTTP traffic as well as various application software and help you to prevent time and network resource wasting on inappropriate network activities.



Connectivity

VDSL2/ADSL2/2+

- ITU-T G.993.2 (VDSL2)
- ITU-T G.992.1/3/5 (ADSL1/2/2+) Annex A & Annex B
- DSL Forum Performance Specification: ADSL TR-048/67, TR-100; VDSL: WT-114
- Erasure Decoding, Increased Interleaver Depth and Re-transmission
- EFM (IEEE 802.3 ah)
- VDSL/Bonding Profile: up to 30a

Ethernet WAN

- IPv4 - DHCP Client, Static IP, PPPoE, PPTP, L2TP, 802.1q Multi-VLAN Tagging
- IPv6 - Tunnel Mode: TSPC, AICCU, 6rd, Static 6in4
Dual Stack: PPP, DHCPv6 Client, Static IPv6
- WAN Connection Fail-over
- WAN Budgets
- Load Balance/Route Policy

Ethernet LAN

- IPv4/IPv6 DHCP Server
- Static Routing/RIP
- Multiple Subnet
- Port/Tag-based VLAN

USB

- 3G/4G Modem as WAN3/WAN4 /Printer Server/File Sharing /Temperature Sensor

VPN

- Up to 32 VPN Tunnels
- Protocol : PPTP, IPsec, L2TP, L2TP over IPsec
- Encryption : MPPE and Hardware-based AES/DES/3DES
- Authentication : MD5, SHA-1
- IKE Authentication : Pre-shared Key and Digital Signature (X.509)
- LAN-to-LAN, Teleworker-to-LAN
- DHCP over IPsec
- IPsec NAT-traversal (NAT-T)
- Dead Peer Detection (DPD)
- VPN Pass-through
- VPN Wizard
- mOTP
- Supports 16 SSL VPN Tunnels
- VPN Trunk: VPN Backup and Load Balance

Management

System Maintenance

- HTTP/HTTPS with 2-level Management (Admin/User)
- Logging via Syslog
- SNMP Management MIB-II (v2/v3)
- CLI (Command Line Interface, Telnet/SSH)
- Administration Access Control
- Web-based Diagnostic Functionality
- Firmware Upgrade via TFTP/HTTP /TR-069
- CWMP Support (TR-069/TR-104)
- LAN Port Monitoring

Network Management

- Bandwidth Management by session /bandwidth
- User Management by Time/Data Quota
- LAN DNS and DNS Proxy/Cache
- Dynamic DNS
- IGMP Snooping/Proxy v2 and v3
- QoS (DSCP/Class-based/4-level priority)
- Guarantee Bandwidth for VoIP
- Support Smart Monitor
- Central AP Management
- Central VPN Management
- Support Switch Management

Security

- Multi-NAT, DMZ Host, Port-redirect and Open Port
- Object-based Firewall, Object IPv6, Group IPv6
- MAC Address Filter
- SPI (Stateful Packet Inspection) (Flow Track)
- DoS/DDoS Prevention
- IP Address Anti-spoofing
- E-mail Alert and Logging via Syslog
- Bind IP to MAC Address
- Time Schedule Control
- Content Security (IM/P2P, URL, Keywords, Cookies,...)

WLAN

- Multiple SSID
- Security (Open, 64/128-bit WEP, WPA/WPA2, 802.1x)
- Hidden SSID
- Wireless Rate Control by SSID
- Wireless VLAN
- Wireless LAN Isolation
- MAC Address Access Control
- Access Point Discovery
- Wireless Client List
- WDS (Wireless Distribution System)
- WMM (Wi-Fi Multimedia)

Hardware Interface

- 1 x VDSL2/ADSL2/2+ WAN Port (WAN1), RJ-11 for Annex A/RJ-45 for Annex B
- 1 x 10/100/1000Base-Tx, RJ-45 (WAN2)
- 4 x 10/100/1000Base-Tx LAN Switch, RJ-45 (Configurable Physical DMZ on Port4)
- 2 x Detachable Antennas (n Model)
- 4 x Detachable Antennas (ac Model)
- 2 x USB Host 2.0
- 1 x Factory Reset Button
- 1 x Wireless On/Off/WPS Button (n/ac model)

	WLAN	
	VDSL Bonding	2.4 GHz 5 GHz
Vigor2862 ac		• •
Vigor2862 n		•
Vigor2862 Bn	•	•
Vigor2862 B	•	
Vigor2862		