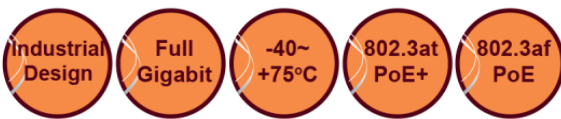


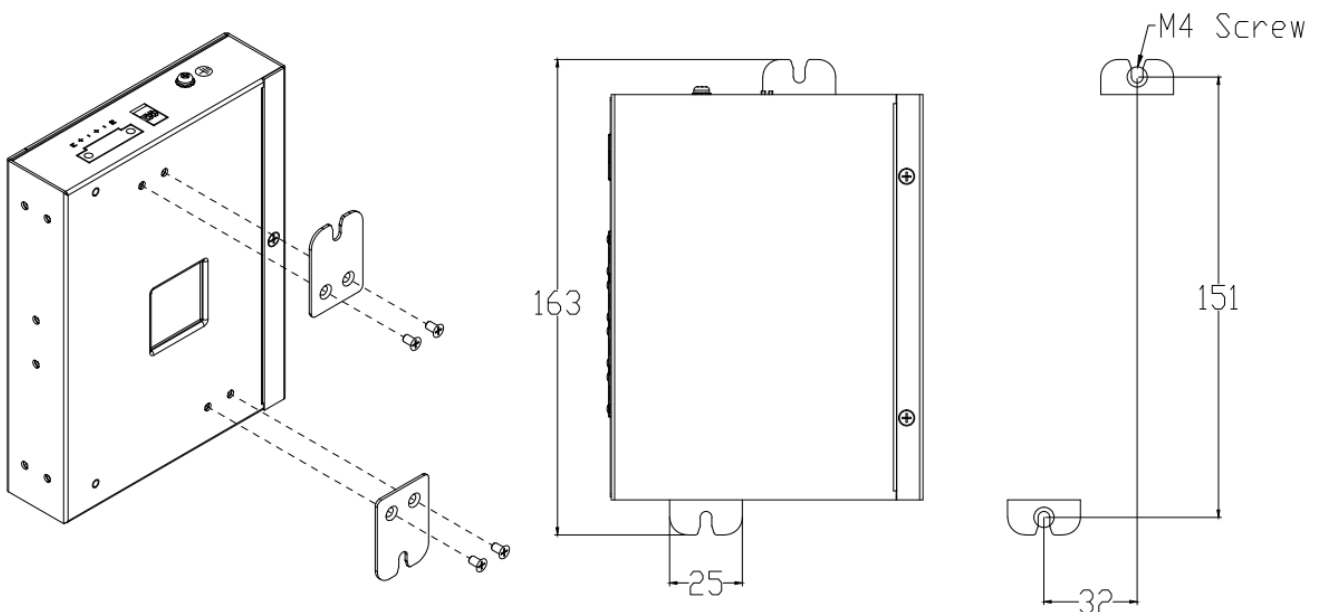
Product Overview

Xentino SI305 / SI306 PoE series are 5-port, unmanaged full Gigabit Ethernet switches compliant with both IEEE 802.3af and IEEE 802.3at PoE standards and delivering up to 30 watts power per port along with data on standard ethernet cabling. The switches can be used to power IEEE 802.3af/at standard devices (PD), which eliminates the need for additional wiring and ease the deployment for applications to reach power source.



Key Features

- Full Gigabit Ethernet ports
- SFP support 100FX or 1000BaseF (SX/LX/LH) (SI306)
- IEEE 802.3af PoE & IEEE 802.3at PoE+ complaint
- 9K Jumbo frames
- L2 wire-speed switching engine
- 2K MAC forwarding addresses
- Industrial design: Fanless, wide operating temperature range (-40 to +75°C), Dual power input (12~58 VDC, dual input), IP30, DIN-Rail and Wall mounting option



Product Specifications

Specifications	SI305	SI306
Ethernet		
Operating mode	Store and forward L2 wire-speed/non-blocking switching engine	
MAC addresses	2K	
Jumbo frames	9K Bytes	
Copper RJ45 Ports (POE at/af)	4 x 10/100/1000 Mbps speed auto-negotiation; MDI/MDIX Auto-crossover	4 x 10/100/1000 Mbps speed auto-negotiation; MDI/MDIX Auto-crossover
Copper RJ45 Ports	1 x 10/100/1000 Mbps speed auto-negotiation; MDI/MDIX Auto-crossover	-
SFP (pluggable) Ports	-	100/1000BaseSFP slot
Fiber port connector	-	LC typically for fiber
Flow control	IEEE 802.3x (Full Duplex) and Back-Pressure (Half Duplex)	
QoS	IEEE 802.1p, 4 queues per port	
Traffic Shaper	Port-based Port shaping	
Storm Control	Multicast/Broadcast/Flooding Storm Control per system basis enable/disable	
PoE	IEEE 802.3at/af PoE PSE	
Power		
Power input	Redundant Input Terminals Reverse power protection	
Input voltage range	12-58 VDC	
Indicators		
Power Status indication	Indication of power input status	
Ethernet port indication	Link & Speed	
PoE power indication	PoE power status indication	
Environmental and Compliances		
Operating temperature range	-40 to +75°C (cold startup at -40°C)	
Storage temperature range	-40 to +85 °C	
Humidity	5 to 95% RH (non-condensing)	
Vibration, shock & freefall	IEC60068-2-6, -27, -32	
Certification compliance	CE/FCC/UL-508; EN-50121-4; DNV/ATEX	
Electrical safety	UL508/CSA C22, EN61010-1, CE	
EMC	FCC Part 15 Subpart B Class A, CISPR 22 (EN55022) Class A IEC61000-4-2, -3, -4, -5, -6 (Level 3)	
RoHS and WEEE	RoHS (Pb free) and WEEE compliant	
MTBF	> 25 years	
Mechanical		
Ingress protection	IP30	
Dimension	136mm(H) x 29mm (W) x 106mm (D) (without DIN rail clip)	
Weight	375g	
Installation option	DIN-Rail mounting Wall mounting	