



User Guide

Gigabit PoE Switch
S1510-8P-150/S1518-16P-330/S1526-24P-400

Gigabit Uplink PoE Switch
S1210-8P-150/S1218-16P-330/S1226-24P-330

Disclaimer

Please note that the manual shown here are for reference purposes only. It does not constitute a legal contract or a commitment between BDCOM and any person or entity. Although every effort has been made to ensure all the information in this manual is correct, inaccuracies or typographical errors may still occur. In no event shall BDCOM be responsible or liable, directly or indirectly, for any damage or loss caused or alleged to be caused by or in connection with the manual. BDCOM reserves the right to alter, update and otherwise change the information contained in the manual from time to time without notice.

Introduction

Overview

S1510-8P-150/S1518-16P-330/S1526-24P-400 are Ethernet switch. The PoE ports can automatically detect and supply power with those IEEE 802.3af/at compliant Powered Devices (PD). The power is transmitted along with data in one single cable allowing you to expand your network where there are no power lines or outlets, where you wish to fix devices such as AP, IP Cameras or IP Phones, etc.

The PoE Switch have VLAN function that improve the network environment and reduces network maintenance costs.

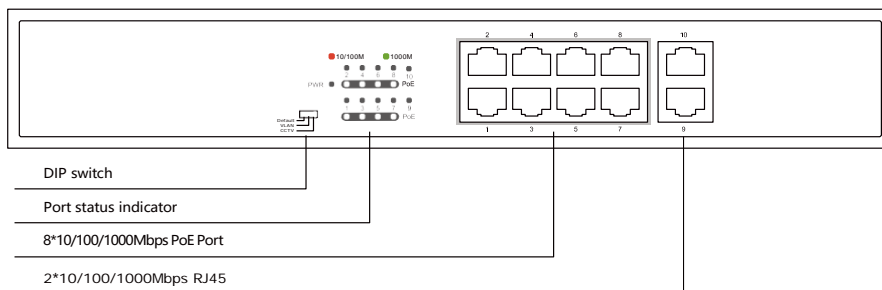
Port Feature

Model	10/100/1000Mbps RJ45 Port	Gigabit SFP Port	PoE Port	PoE Standard
S1510-8P-150	10	—	Port1~8	IEEE802.3af/at
S1518-16P-330	16	2	Port1~16	
S1526-24P-400	24	2	Port1~24	

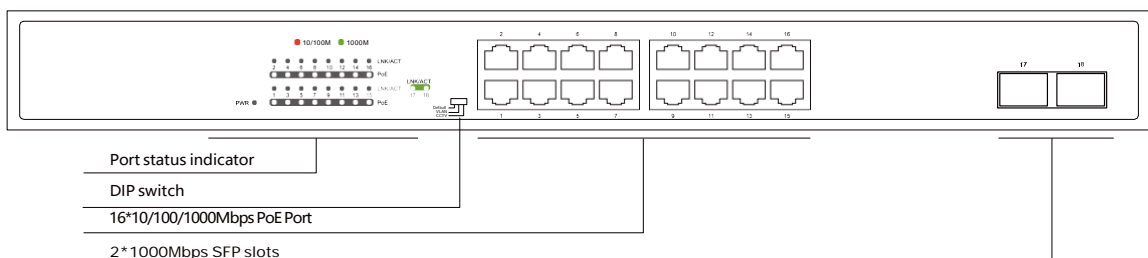
Product Appearance

■ Front panel

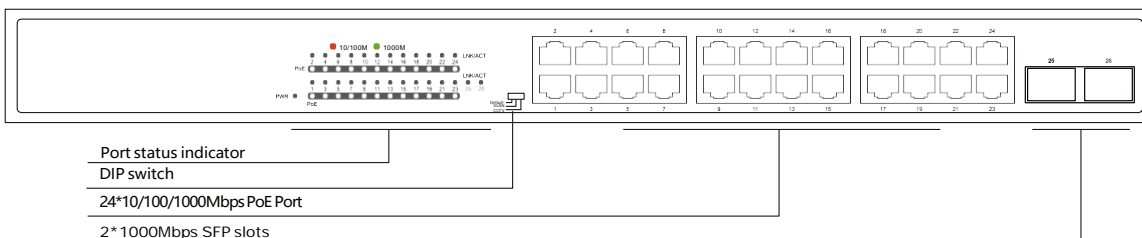
The Front Panel of the S1510-8P-150 Consists of 10-Port 10/100/1000M Auto-Negotiation Ethernet RJ45 Ports. The LED indicators also on located on the panel.



The Front Panel of the S1518-16P-330 Consists of 16-Port 10/100/1000M Auto-Negotiation Ethernet RJ45 Ports, 2-Port Gigabit SFP slot. The LED indicators also on located on the panel.



The Front Panel of the S1526-24P-400 Consists of 24-Port 10/100/1000M Auto-Negotiation Ethernet RJ45 Ports, 2-Port Gigabit SFP slot. The LED indicators also on located on the panel.



LED Indicator

LED	Color	description
PWR	Green	Off: No Power supply. Light: Indicates the switch has power.
LNK/ACT	Orange Green	Off: No device is connected to the corresponding port. Light (Orange) : Indicates the link through that port is successfully established at 10/100Mbps. Light (Green) : Indicates the link through that port is successfully established at 1000Mbps. Blink: Indicates that the Switch is actively sending or receiving data over that port.
PoE	Orange	Off: No PoE powered device (PD) connected. Light: There is a PoE PD connected to be port, which supply power successfully. Blink: Indicates port abnormal power supply.

DIP Switch

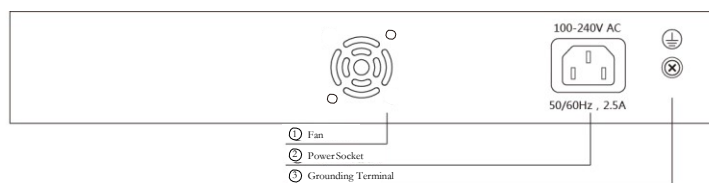
The DIP switch located on the left panel.

Standard: the factory default mode, all ports can communicate with each other.

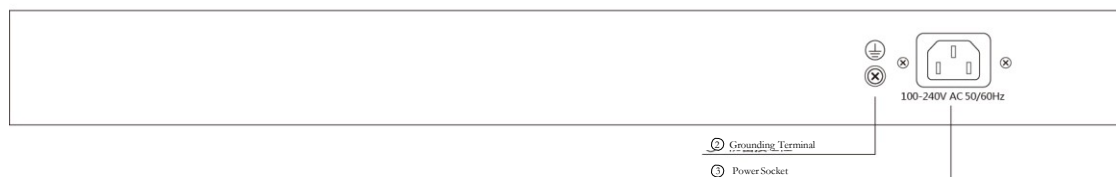
VLAN: PoE port can be isolated each other but poe port can connect to uplink port after open VLAN to stop broadcast storm to increase forwarding rate of frame.

Extend: Up to 250m PoE distance allows you to expand you network via Ethernet cable to where there is no power line or outlet but where you want to fix device such as IP Cameras.

■ Rear Front



S1510-8P-150



S1518-16P-330/S1526-24P-400

Power socket

Connect the female connector of the power cord here, and the male connector to the AC (Alternating Current) power outlet. Please make sure the voltage of the power supply meets the requirement of the input voltage

Grounding

The switch already comes with lightning protection mechanism. You can also ground the switch through the PE (Protecting Earth) cable of AC cord or with Ground Cable.



Caution: Please use the provided power cord.
Make sure the power socket has a good contact with the ground.

Installation

Package Contents

- PoE Switch..... 1
- AC Power Cord..... 1
- User Guide..... 1
- Accessories(Rack angle iron*2, Rack installation bolt*8, plastic cushion*4)



Caution: If any part is lost and damaged, please contact your local agent immediately.

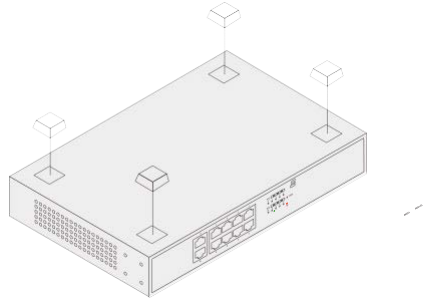
Safety Precautions

To avoid any device damage and bodily injury caused by improper use, please observe the following rules.

- Keep the power off during the installation.
- Wear an ESD-preventive wrist strap, and make sure that the wrist strap has a good skin contact and is well grounded.
- Use only the power cord provided with the switch.
- Make sure that the supply voltage matches the specifications indicated on the rear panel of the switch.
- Ensure the vent hole is well ventilated and unblocked.
- Do not open or remove the cover of the switch.
- Before cleaning the device, cut off the power supply. Do not clean it by the waterish cloth, and never use any other liquid cleaning method.

Desktop Installation

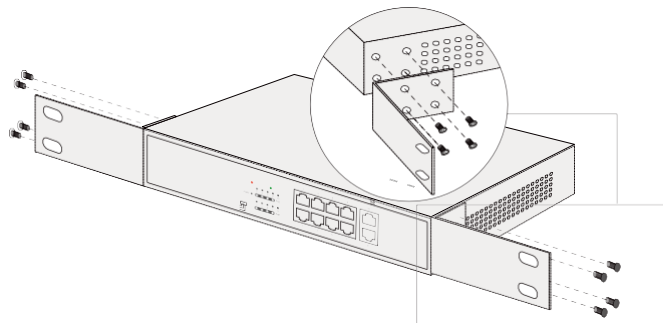
Install the Switch on a desktop, please attach these cushioning rubber feet provided on the bottom at each corner of the Switch in case of the external vibration. Allow adequate space for ventilation between the device and the objects around it.



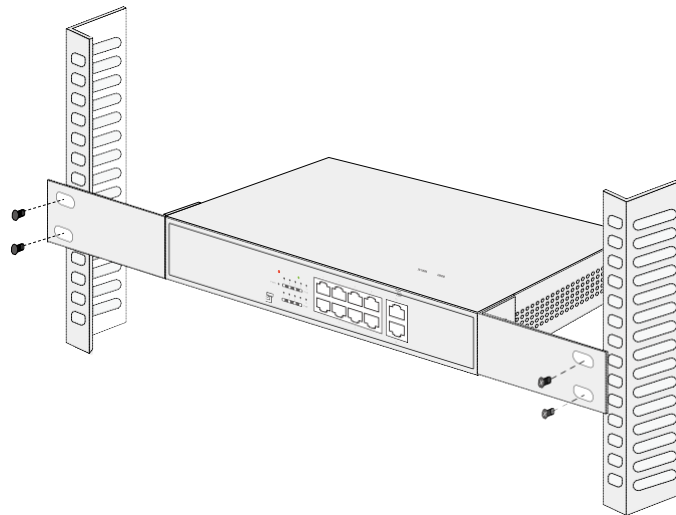
Rack Installation

To install the device in an EIA standard-sized, 19-inch rack, follow the instructions described below:

1. Check the grounding and stability of the rack.
2. Secure the supplied rack-mounting brackets to each side of the device with supplied screws, as illustrated in the following figure.



3. After the brackets are attached to the device, use suitable screws (not provided) to secure the brackets to the rack, as illustrated in the following figure



Turn on the switch

Plug in the negative connector of the provided power cord into the power socket of the device, and the positive connector into a power outlet . After the device is powered on, it begins the Power-On Self-Test. The PWR LED indicator will light on all the time.

Appendix Specification

Model	S1510-8P-150	S1518-16P-330	S1526-24P-400
Standard	IEEE802.3, IEEE802.3u, IEEE802.3ab, IEEE802.3z, IEEE802.3x, IEEE802.3af, IEEE802.3at		
Port	10*10/100/1000Mbps Auto-Negotiation RJ45 Port	16*10/100/1000Mbps Auto-Negotiation RJ45 Port	24*10/100/1000Mbps Auto-Negotiation RJ45 Port
		2-Port Gigabit SFP Port	
PoE Port	Port1~8	Port1~16	Port1~24
PoE Power Output	32W Max		
PoE Power on RJ-45	Mode A 1/2(+) 3/6(-)		
VLAN and CCTV	Support		
PoE Power Budget	140W	300W	380W
Forwarding Mode	Storage-and-Forward		
Switching Capacity	20G	36G	52G
Forwarding Rate	14.88Mpps	26.78Mpps	38.69Mpps
Input Power Supply	AC 100-240V 50/60Hz		
Operation Temperature	0°C ~40°C		
Storage Temperature	-40°C ~70°C		
Operation Humidity	10%~90%RH non-condensing		
Storage Humidity	5%~90%RH non-condensing		
Fan	Fan		
Dimensions (L*W*H)	280*179*45mm	440*232*45mm	
Network Media(cable)	10BASE-T: UTP category 3, 5 cable (≤ 100m) 100BASE-TX: UTP category 5,5e cable (≤ 100m) 1000BASE-T: UTP category 5e,6 cable(≤ 100m) 1000Base-X: MMF,SMF		

Disclaimer

Please note that the manual shown here are for reference purposes only. It does not constitute a legal contract or a commitment between BDCOM and any person or entity. Although every effort has been made to ensure all the information in this manual is correct, inaccuracies or typographical errors may still occur. In no event shall BDCOM be responsible or liable, directly or indirectly, for any damage or loss caused or alleged to be caused by or in connection with the manual.

BDCOM reserves the right to alter, update and otherwise change the information contained in the manual from time to time without notice.

Introduction

Overview

S1210-8P-150/S1218-16P-330/S1226-24P-330 are standard PoE switches. The PoE Switch provide intelligent PoE functions along with 8 10/100Mbps RJ45 ports and 1 Gigabit TP+ 1 Gigabit SFP port. 16/24 10/100Mbps RJ45 ports and 2/2 Gigabit TP/SFP combo interfaces supporting high-speed transmission of surveillance images and videos. The PoE ports can automatically detect and supply power to IEEE802.3af/at compliant Powered Devices (PD). The electrical power and data transmission on the same cable can expand your network to the places where no power lines or outlets, where you can install devices such as APs, IP cameras, or IP phones etc.

The S1210-8P-150/S1218-16P-330/S1226-24P-330 have VLAN function that improve the network environment and reduces network maintenance costs.

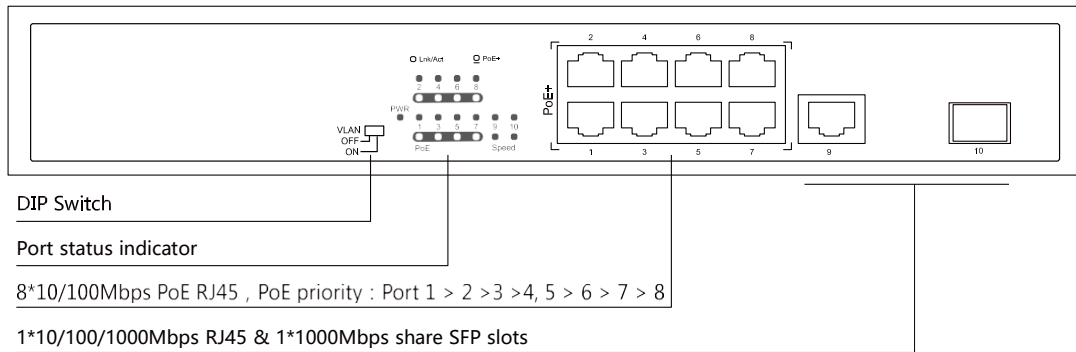
- Port Feature

Model	10/100Mbps RJ45 Port	Gigabit TP/SFP Combo Port	PoE Port	PoE Standard
S1210-8P-150	8	—	Port1~8	IEEE802.3af/at
S1218-16P-330	16	2	Port1~16	
S1226-24P-330	24	2	Port1~24	

Product Appearance

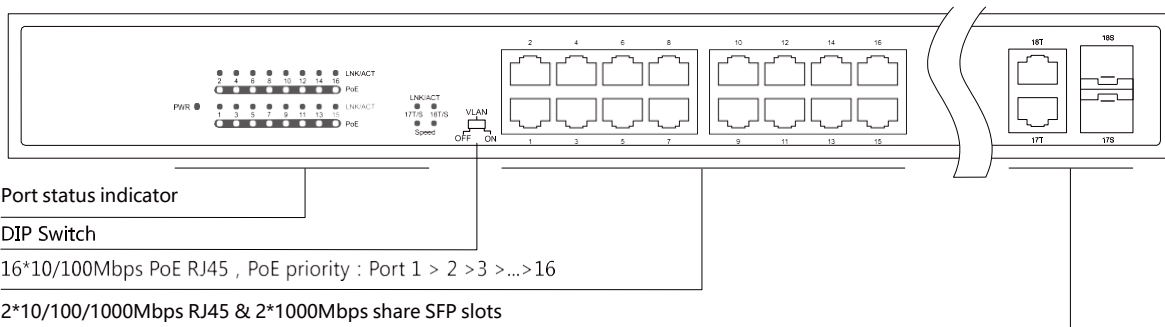
Front panel

The Front Panel of the S1210-8P-150 Consists of 8-Port 10/100M Auto-Negotiation Ethernet RJ45 Ports, 1 Gigabit TP +1 Gigabit SFP Port. The LED indicators also on located on the panel.

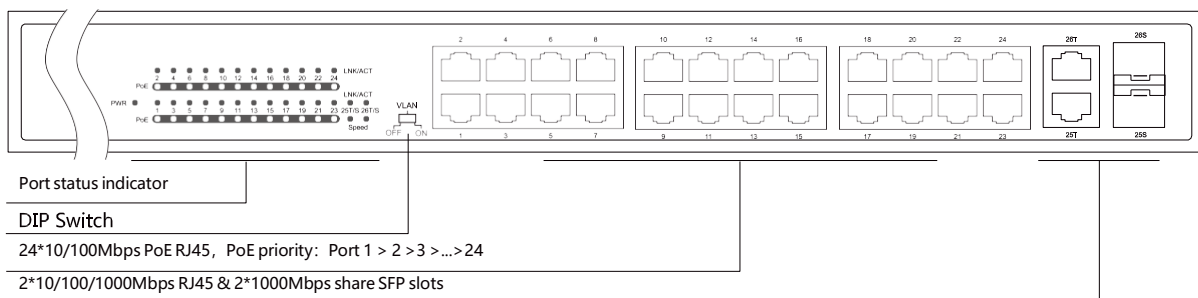


- PoE priority: If PoE total power is larger than PoE budget, lower priority PoE port will be cut off to make sure the important network node work properly.
- Powered devices must be compatible with IEEE 802.3af/IEEE 802.3at standard.

The Front Panel of the S1218-16P-330 Consists of 16-Port 10/100M Auto-Negotiation Ethernet RJ45 Ports, 2-Port Gigabit TP/SFP Combo Port. The LED indicators are also on located on the panel.



The Front Panel of the S1226-24P-330 Consists of 24-Port 10/100M Auto-Negotiation Ethernet RJ45 Ports, 2-Port Gigabit TP/SFP Combo Port. The LED indicators also on located on the panel.



• Port-based VLAN

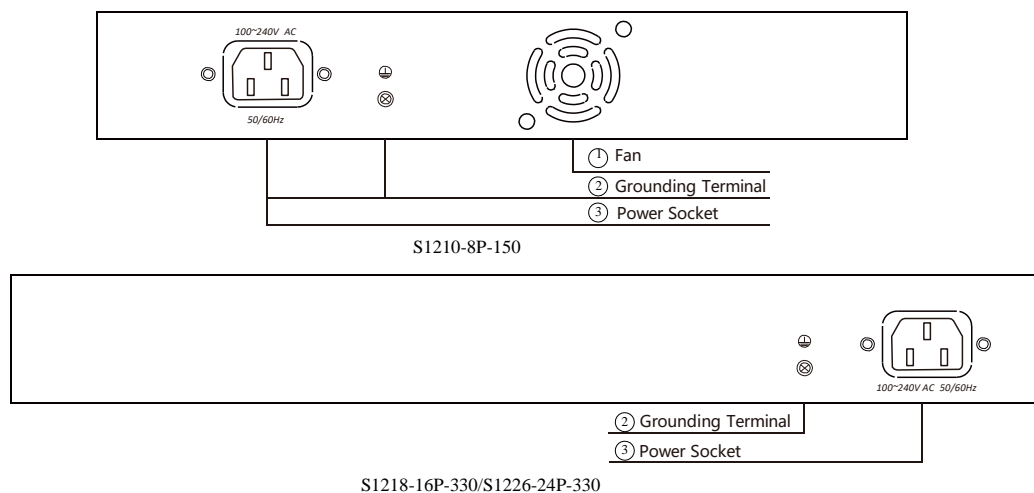
S1210-8P-150/S1218-16P-330/S1226-24P-330 have one feature called Port-based VLAN. Where switching the DIP to the "on" position, PoE ports can not communicate with each other ,PoE ports only communicate with the uplink ports.

(Note: Please turn off the device before setting)

- LED Indicator

LED	Color	Description
PWR	Green	Off: No Power supply. Light: Indicates the switch has power.
LNK/ACT	Green	Off: No device is connected to the corresponding port. Light: Indicates the link through that port is successfully established at 10/100/1000Mbps. Blink: Indicates that the Switch is actively sending or receiving data over that port.
Speed	Green	Off: Indicates the link through established at 10Mbps. Light: Indicates the link through established at 1000Mbps. Blink: Indicates the link through established at 100Mbps.
PoE	Orange	Off: No PoE powered device (PD) connected. Light: There is a PoE PD connected to be port, which supply power successfully. Blink: Indicates port abnormal power supply.

Rear panel



- Power socket

Connect the female connector of the power cord here, and the male connector to the AC (Alternating Current) power outlet. Please make sure the voltage of the power supply meets the requirement of the input voltage.

- Grounding Terminal

The switch already comes with lightning protection mechanism. You can also ground the switch through the PE (Protecting Earth) cable of AC cord or with Ground Cable.



Caution: Please use the original power cord, ensure electrical socket and device properly grounded.

Installation

Package Contents

- PoE Switch..... 1 PCS
- AC Power Cord.....1 PCS
- User Guide..... 1 PCS
- Accessories(Rack angle iron*2, Rack installation bolt*8, plastic cushion*4)



Caution: If any part is missing and damaged, please contact your local agent immediately.

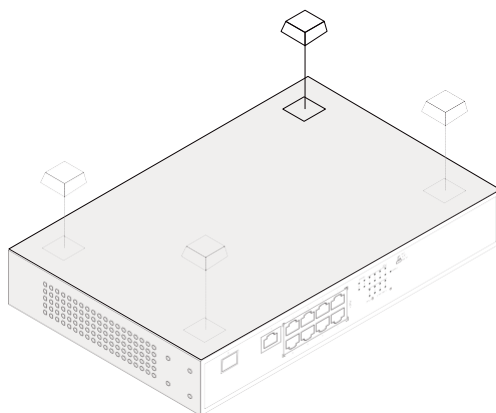
Safety Precautions

To avoid any device damage and bodily injury caused by improper use, please observe the following rules.

- Keep the power off during the installation.
- Wear an ESD-preventive wrist strap, and make sure that the wrist strap has a good skin contact and is well grounded.
- Use only the power cord provided with the switch.
- Make sure that the supply voltage matches the specifications indicated on the rear panel of the switch.
- Ensure the vent hole is well ventilated and unblocked.
- Do not open or remove the cover of the switch.
- Before cleaning the device, cut off the power supply. Do not clean it by the waterish cloth, and never use any other liquid cleaning method.

Desktop Installation

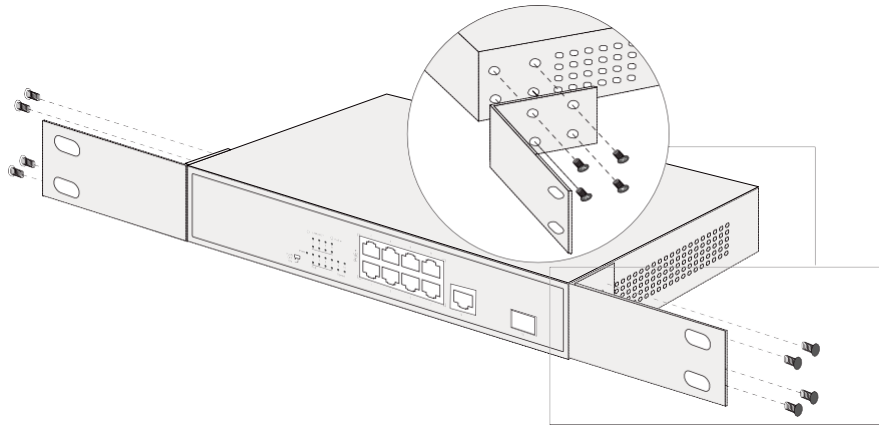
Install the Switch on a desktop, please attach these cushioning rubber feet provided on the bottom at each corner of the Switch in case of the external vibration. Allow adequate space for ventilation between the device and the objects around it.



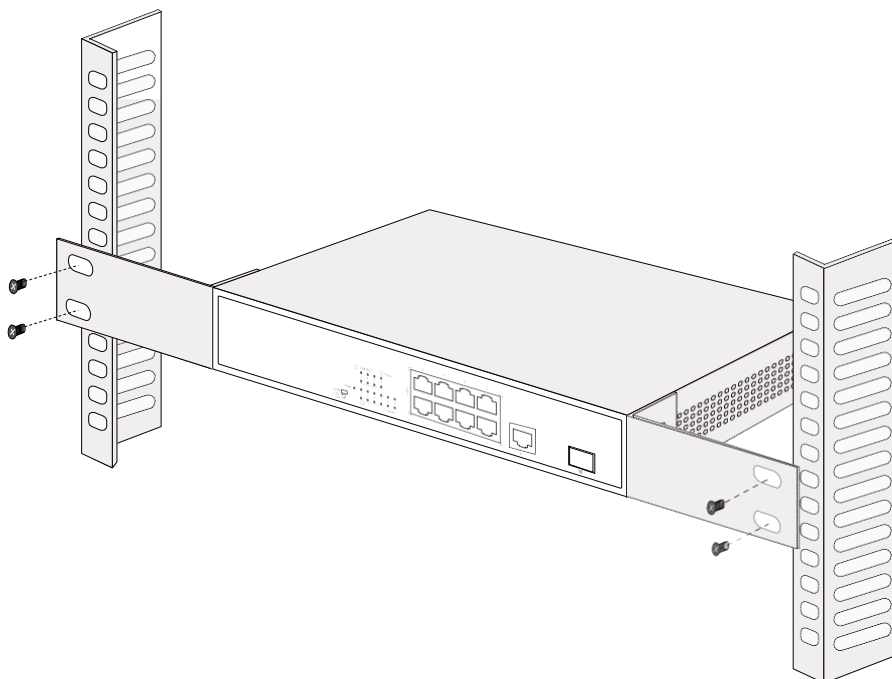
Rack Installation

To install the device in an EIA standard-sized, 19-inch rack, follow the instructions described below:

1. Check the grounding and stability of the rack.
2. Secure the supplied rack-mounting brackets to each side of the device with supplied screws, as illustrated in the following figure.



3. After the brackets are attached to the device, use suitable screws (not provided) to secure the brackets to the rack, as illustrated in the following figure.



Turn on the switch

Plug in the negative connector of the provided power cord into the power socket of the device, and the positive connector into a power outlet . After the device is powered on, it begins the Power-On Self-Test. The PWR LED indicator will light on all the time.

Appendix: Specification

Model	S1210-8P-150	S1218-16P-330	S1226-24P-330
Standard	IEEE802.3, IEEE802.3u, IEEE802.3ab, IEEE802.3z, IEEE802.3x, IEEE802.3af, IEEE802.3at		
Port	8*10/100Mbps Auto-Negotiation RJ45 Port	16*10/100Mbps Auto-Negotiation RJ45 Port	24*10/100Mbps Auto-Negotiation RJ45 Port
	1G TP And 1G SFP Port	2G TP/SFP ComboPort	
PoE Port	Port1~8	Port1~16	Port1~24
PoE Power Output	32W Max		
PoE Power on RJ-45	Mode A 1/2(+) 3/6(-)		
PoE Power Budget	140W	300W	300W
Forwarding Mode	Storage-and-Forward		
Switching Capacity	5.6G	7.2G	8.8G
Forwarding Rate	4.16Mpps	5.33Mpps	6.54Mpps
Input Power Supply	AC 100-240V 50/60Hz		
Operation Temperature	0°C ~40°C		
Storage Temperature	-40°C ~70°C		
Operation Humidity	10%~90%RH non-condensing		
Storage Humidity	5%~90%RH non-condensing		
Fan	1 pcs	2 pcs	2 pcs
Dimensions (L*W*H)	280*179*45mm	440*232*45mm	
Network Media(cable)	10BASE-T: UTP category 3, 5 cable (≤ 100m) 100BASE-TX: UTP category 5,5e cable (≤ 100m) 1000BASE-T: UTP category 5e,6 cable(≤ 100m) 1000Base-X: MMF or SMF SFP Module		



上海博达数据通信有限公司

Shanghai Baud Data Communication Co., LTD.

网址Web: www.bdc.com.cn

地址Add: 上海浦东张江高科技园区居里路123号

No.123, Juli Road, Pudong Zhangjiang High-Tech Park, Shanghai

邮编Zip Code: 201203