

RAIL KIT Comparison

QSAN

Apply Models

■ XN-RKIT01(92-SLRKS598-00) / SLR-RM3640 (92-SLRKS598-01)

- XCubeSAN Series
- XCubeFAS Series
- XCubeNXT Series
- XCubeNAS Series



■ XN-RKIT02(92-SLR38402-00) / XN-RKIT03(92-SLR38403-00)

- XN7004R
- XN7008R/XN7008RE/XN8008R/XN8008RE
- XN7012R/XN7012RE/XN8012R/XN8012RE



Whether to install with screws

■ XN-RKIT01(92-SLRKS598-00) / SLR-RM3640 (92-SLRKS598-01)

■ Quick installation mechanism without screws



■ XN-RKIT02(92-SLR38402-00) / XN-RKIT03(92-SLR38403-00)

■ 2 screws per rail



Occupy rack height

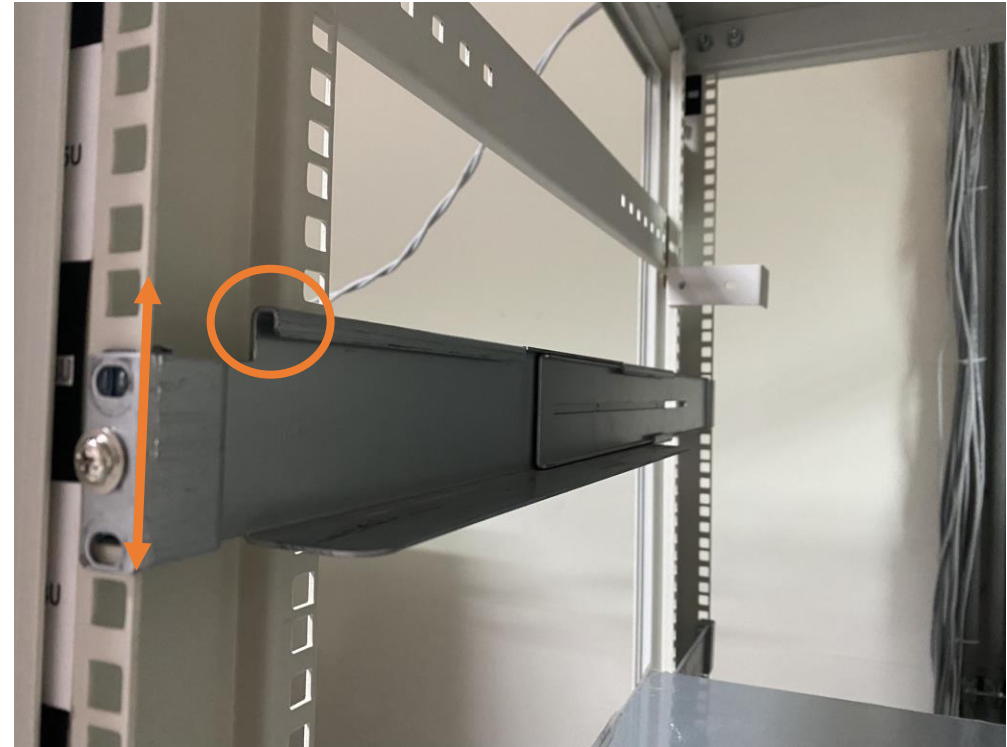
■ XN-RKIT01(92-SLRKS598-00) / SLR-RM3640 (92-SLRKS598-01)

- Occupy 1U height



■ XN-RKIT02(92-SLR38402-00) / XN-RKIT03(92-SLR38403-00)

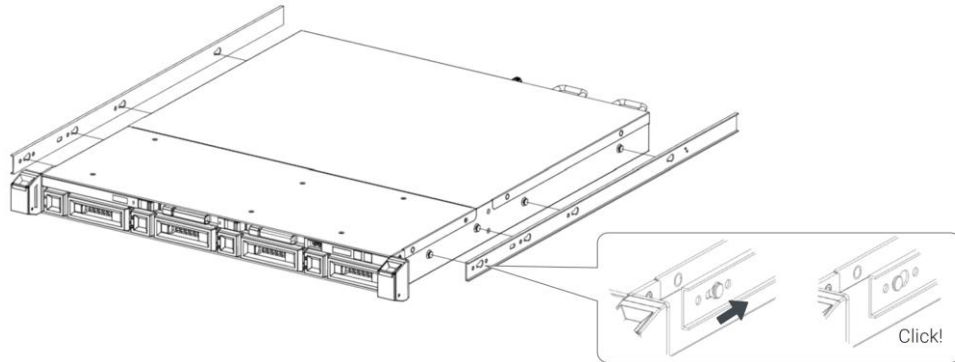
- Occupy 1.3U height.
- When installing multiple 1U chassis, a space should be reserved at the top to install the slide rail kit



Install the Rail Kit on the chassis

■ XN-RKIT01(92-SLRKS598-00) / SLR-RM3640 (92-SLRKS598-01)

- Need to install inner rails on the chassis for sliding.



■ XN-RKIT02(92-SLR38402-00) / XN-RKIT03(92-SLR38403-00)

- No need to install the slide rail on the chassis, just move in directly.



Slidiness

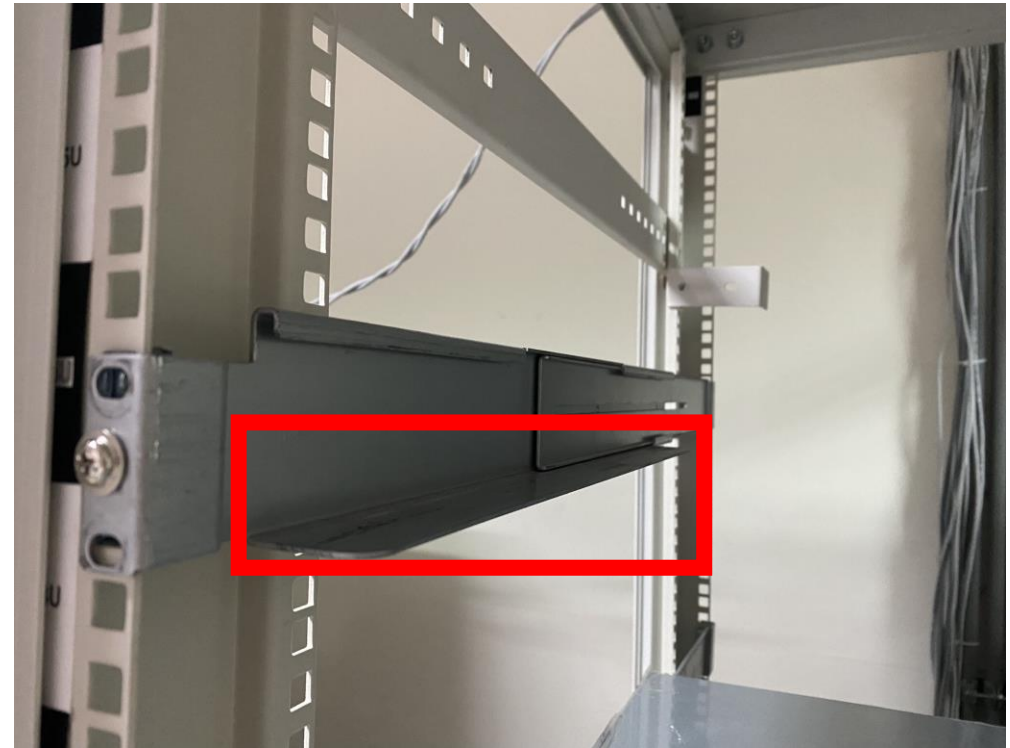
■ XN-RKIT01(92-SLRKS598-00) / SLR-RM3640 (92-SLRKS598-01)

■ You can slide the slide rail to pull out the chassis.



■ XN-RKIT02(92-SLR38402-00) / XN-RKIT03(92-SLR38403-00)

■ Only supports weight.



	XN-RKIT01(92-SLRKS598-00) for NAS Series SLR-RM3640 (92-SLRKS598-01) for SAN/FAS Series	XN-RKIT02(92-SLR38402-00) for XN3004R XN-RKIT03(92-SLR38403-00) for 1/2U NAS Series
Install with Screws	No	Yes
Occupy Rack Height	1U(Lower)	1.3U(Higher)
Install the Rail on the Chassis	Yes	No
Slidiness	Yes	No

Thank You